

## Solenoid Dosing Pump

### JCMB

★ Includes 6 sub series:  
JCMB-S,JCMB-H,JCMB-C,JCMB-F,  
JCMB-CR,JCMB-HR

★ JCMB Series are Microprocessor-based digital control solenoid driven metering pumps with Simple operation and stable operation.



★ Applications:Municipal water and wastewater treatment, chlorine dioxide dosing,reverse osmosis,food&beverage and pharmaceutical industries etc.

#### JCMB Models

#### JCMB45

型号 Model	最大流量 Max. Flow	最大压力 Max. Pressure	进出口管径 ( mm ) Inlet&outlet Pipe Dia(mm)	进口管材质 Suction Pipe Material	出口管材质 Discharge Pipe Material
JCMB45-3/15	3.0L/H	15bar	内5.5外9.5 In5.5 Out 9.5	PVC	PE
JCMB45-5/10	5.0L/H	10bar	内5.5外9.5 In5.5 Out 9.5	PVC	PE
JCMB45-10/5	10L/H	5bar	内5.5外9.5 In5.5 Out 9.5	PVC	PE

#### JCMB55

型号 Model	最大流量 Max. Flow	最大压力 Max. Pressure	进出口管径 ( mm ) Inlet&outlet Pipe Dia(mm)	进口管材质 Suction Pipe Material	出口管材质 Discharge Pipe Material
JCMB55-15/3.2	15L/H	3.2bar	内6.5外9.5 In6.5 Out 9.5	PVC	PE
JCMB55-20/2.5	20L/H	2.5bar	内6.5外9.5 In6.5 Out 9.5	PVC	PE
JCMB55-25/2.0	25L/H	2.0bar	内6.5外9.5 In6.5 Out 9.5	PVC	PE

## Solenoid Dosing Pump

#### JCMB-S Manual Adjustment



- Manual adjust flow through the key in the control panel
- Pump LED ON/OFF indicator
- Displayable frequency percentage

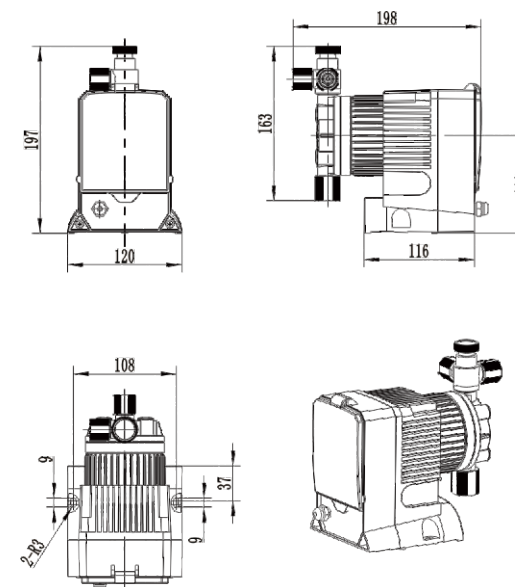
#### JCMB Auto-Adjust



##### 5 Control Models:

- ★ JCMB-C Auto-Adjust(Digital impulse signal control)
- ★ JCMB-H Auto-Adjust(4-20mA electric current signal control)
- ★ JCMB-F Auto-Adjust(Digital impulse signal control &feedback)
- ★ JCMB-CR Auto-Adjust(Digital impulse signal feedback control with Rs485 communication interface)
- ★ JCMB-HR Auto-Adjust(4-20mA electric current signal control with Rs485 communication interface)
- The pump carries working condition display,liquid-level probe and remote ON/OFF connector.Two output modes available.
- Manual flow adjust mode:pump will output according to your manual-chose frequency.
- Auto flow adjust mode:pump will dosing proportionally by the income signal

#### ■ Dimensions(mm)



#### ■ Pump Head

